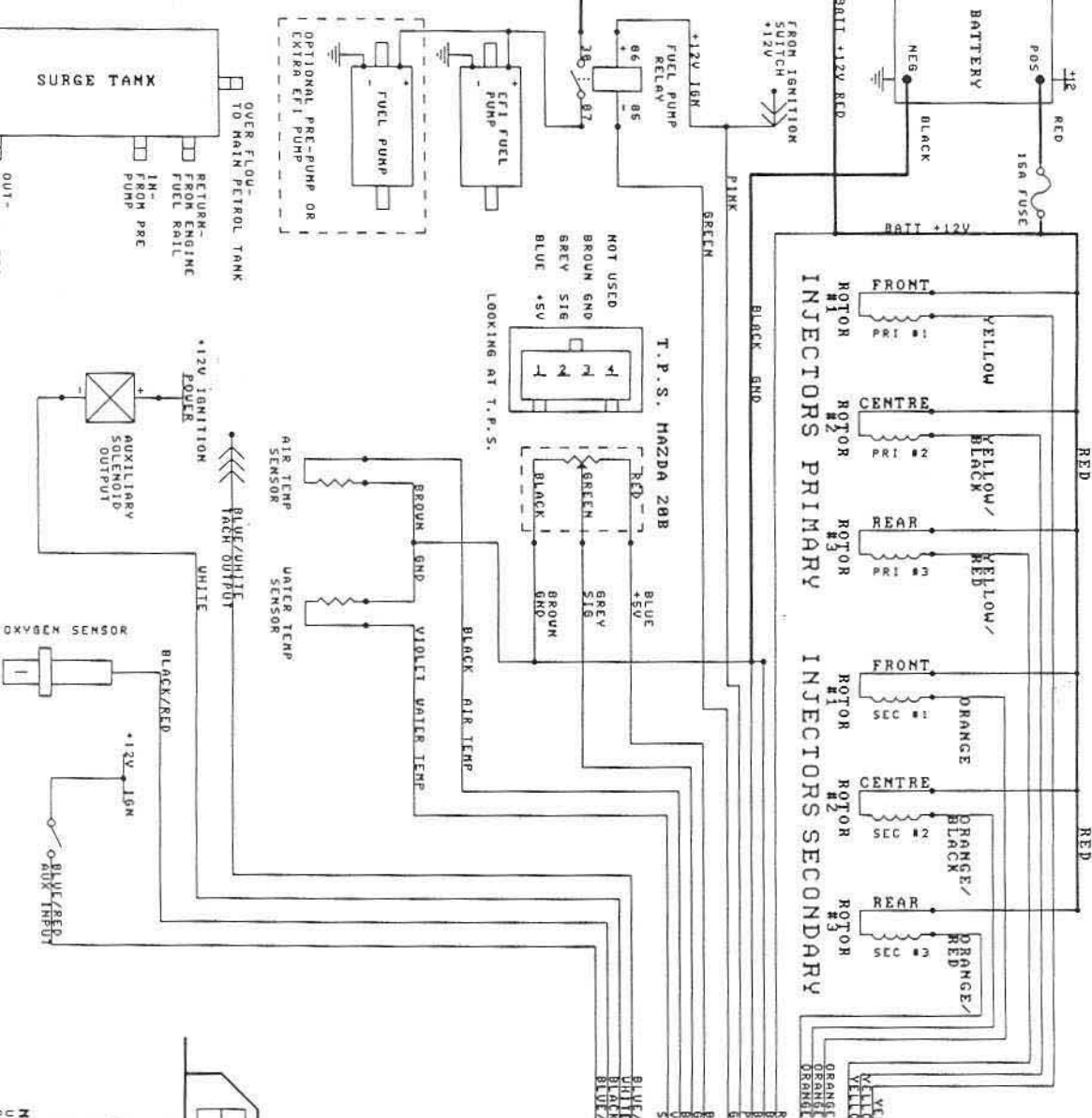
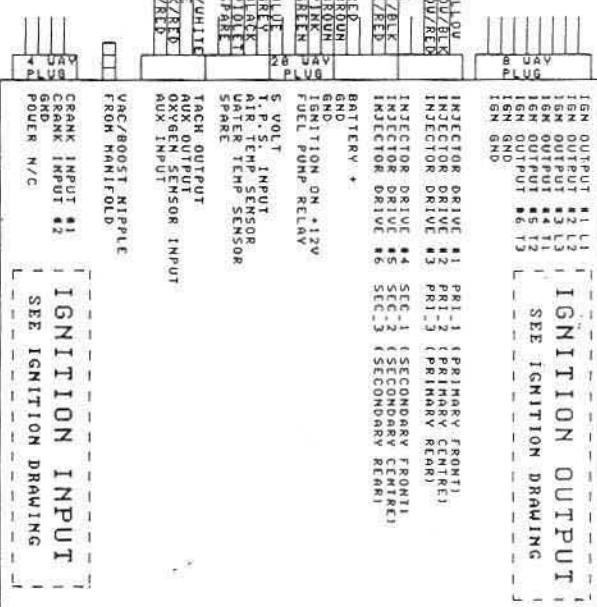


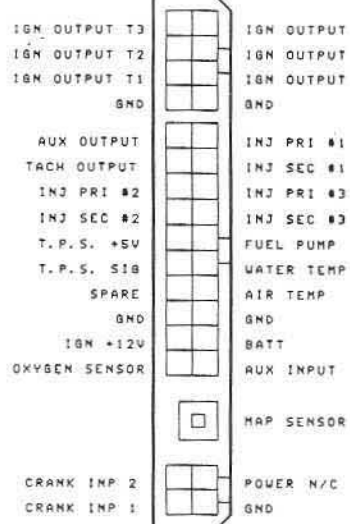
MICROTECH MT-12 20B SEQUENTIAL ENGINE MANAGEMENT SYSTEM



MICROTECH MT-12 20B SEQUENTIAL



MT-12 20B PIN-OUTS



N.B.
USE ONLY PER INJECTOR BANK

1 X 2 OHM INJECTORS
2 X 2 OHM INJECTORS
2 X 12 OHM INJECTORS
4 X 12 OHM INJECTORS

MT-12 20B DIRECT FIRE
Size: 03
Part: 8-112-20B/1
Rev: 2.0
Date: 11/11/11
Drawn by: [Signature]