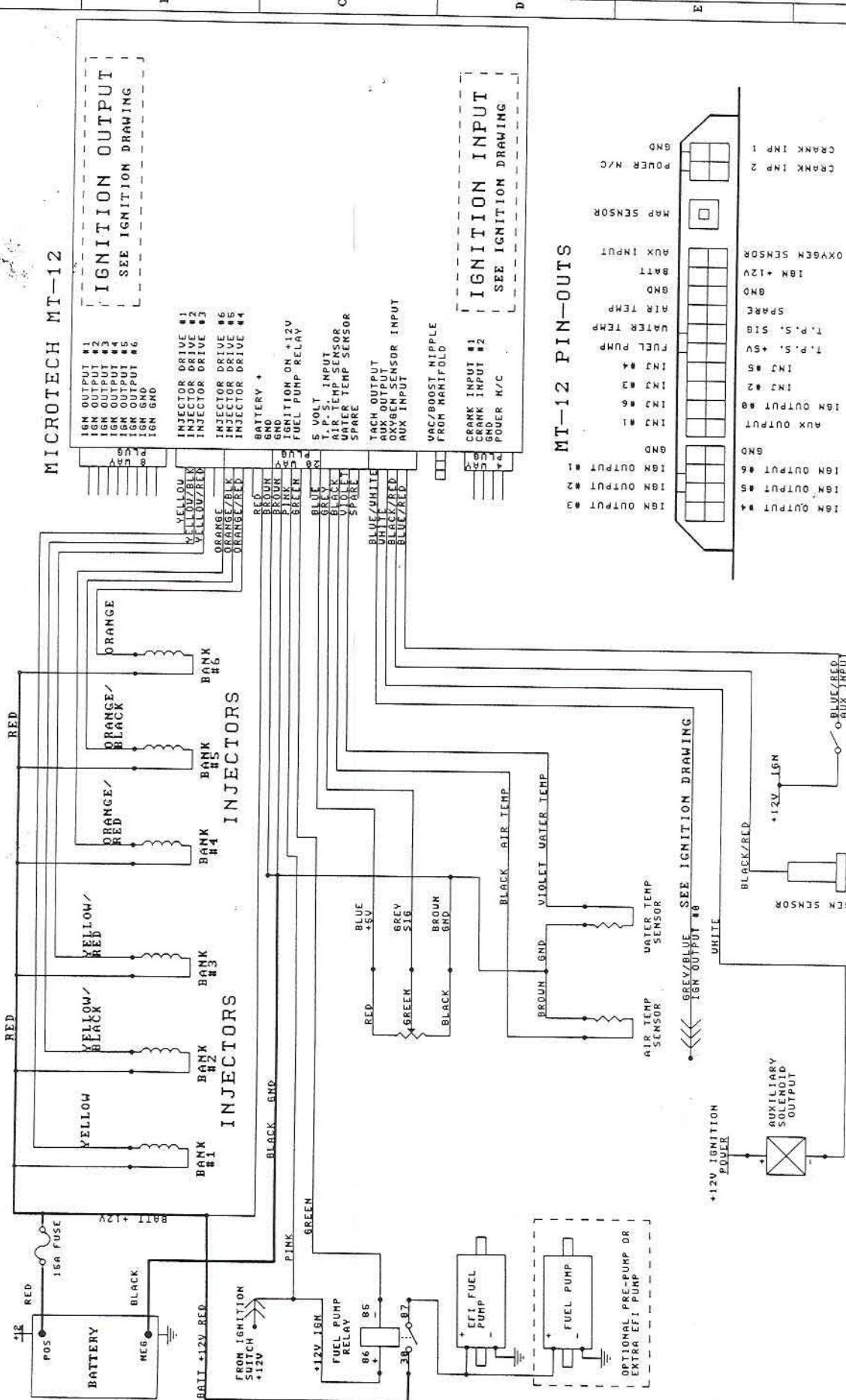


MICROTECH MT-12 ENGINE MANAGEMENT SYSTEM

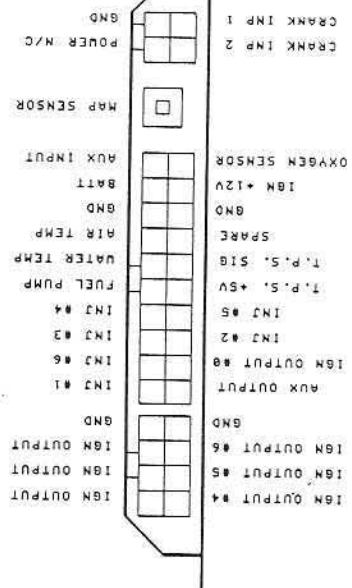


MICROTECH MT-12

IGNITION OUTPUT
SEE IGNITION DRAWING

IGNITION INPUT
SEE IGNITION DRAWING

MT-12 PIN-OUTS



- M.T.B. ONLY
PER INJECTOR BANK
- 1 X 2 OHM INJECTORS
 - 2 X 2 OHM INJECTORS
 - 2 X 12 OHM INJECTORS
 - 4 X 12 OHM INJECTORS

TITLE		MT12 SINGLE FIRE	
Size	Number	Revision	
A3	FUEL DRAWING	2.0	
Sheet	of	Drawn By	DOH
1	7		