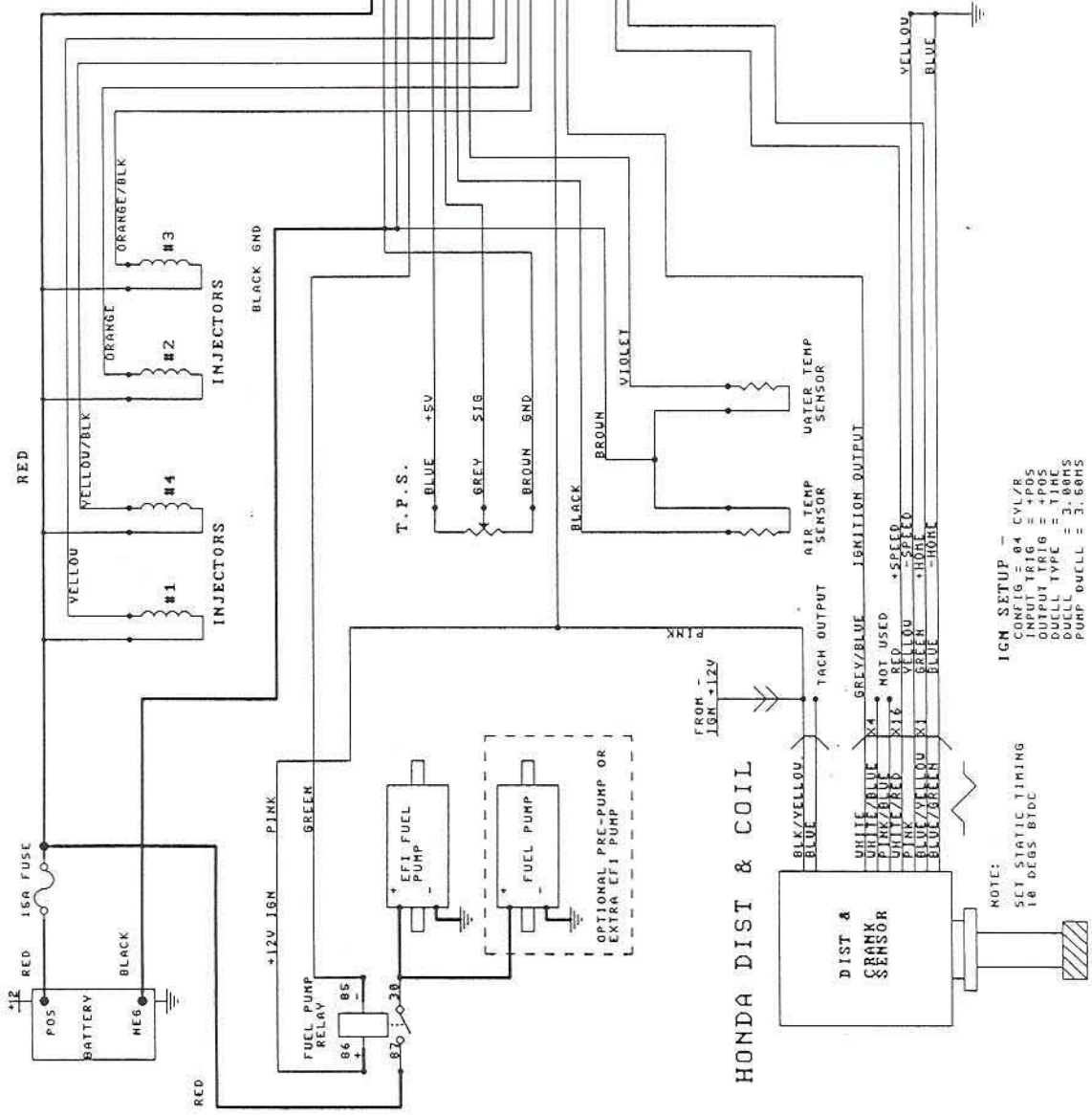
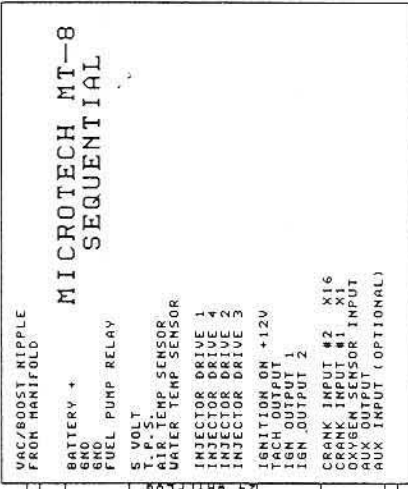
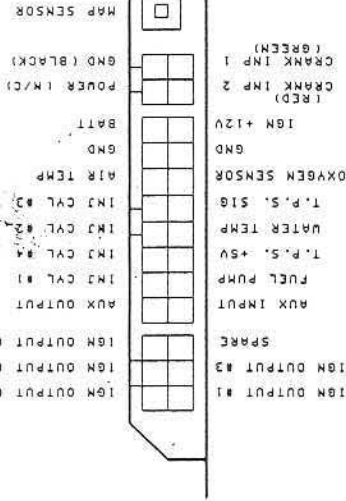


MICROTECH SEQUENTIAL ENGINE MANAGEMENT SYSTEM

MT-8 UER 2 PIN-OUTS



IGN SETUP -
CONFIG = 04 CYL/B
INPUT TRIG = POS
OUEL TYPE = TIME
OUEL TYPE = TIME
PUMP OUEL = 3.00MS
PUMP OUEL = 3.60MS

NOTE:
SET STATIC TIMING
18 DEGS B/D

MICROTECH MT-8 HONDA UTEC	
Size	Normal
Dist & Coil	Ignition
Rev	1
Part No.	16-100JH-AN1-CLOCK
Sheet	1 of 1
Drawn	11-NOV-1998
Checked	11-NOV-1998
By	HTHONGCH
Drawn	04