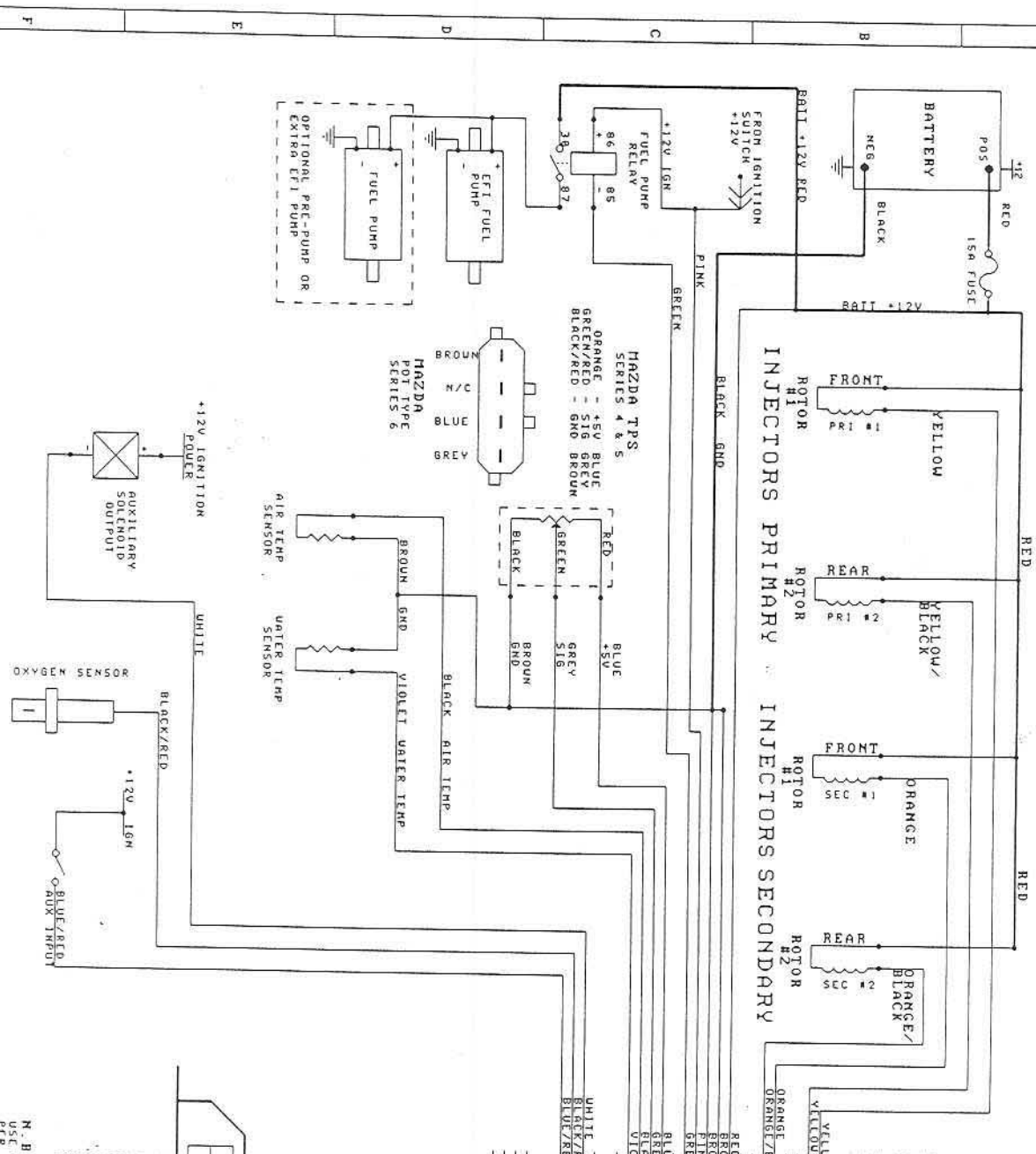
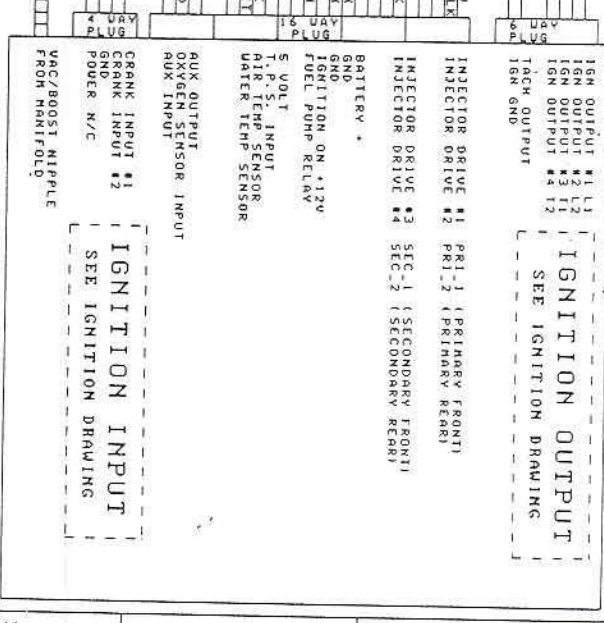


# MICROTECH MTX-8 13B SEQUENTIAL ENGINE MANAGEMENT SYSTEM



## MICROTECH MTX-8 13B SEQUENTIAL



### MTX-8 13B PIN-OUTS

IGN OUTPUT T1	IGN OUTPUT L1	IGN OUTPUT L2	GND	AUX INPUT	FUEL PUMP	T.P.S. +5V	WATER TEMP	T.P.S. 51G	OXYGEN SENSOR	GND	IGN +12V	CRANK INP 2	CRANK INP 1	MAP SENSOR
AUX OUTPUT	INJ PRI #1	INJ SEC #1	INJ PRI #2	INJ SEC #2	AIR TEMP	GND	BATT	POWER N/C	GND	MAP SENSOR				

N-B		USER ONLY	
1	X 2	0HM	INJECTORS
2	X 2	0HM	INJECTORS
3	X 2	0HM	INJECTORS
4	X 2	0HM	INJECTORS
5	X 2	0HM	INJECTORS
6	X 2	0HM	INJECTORS